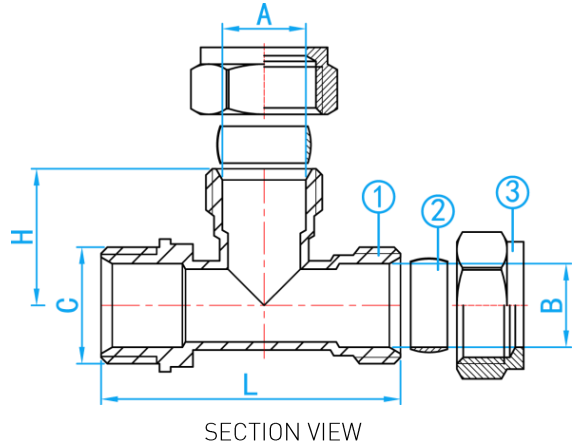


# COMPRESSION [CXMIXC] TEE

COMPLY WITH BSEN1254-2:1998



### COMPONENT PARTS

ITEM	PARTS	MATERIAL
1	Body	CR Brass
2	Ring	Brass
3	Nut	Brass

### DIMENSIONS

SKU	A×B×C (mm x mm x inch)	H (mm)	L (mm)	WEIGHT (kg)	PCS/CTN
CRCMICT015	15×15×1/2"BSPT	24.5	53.8	0.094	150